

INSTRUCTIONS TO BIDDERS

Quaid-e-Azam Solar Power (Pvt.) Ltd. (the "Client") intends to hire a Contractor for *Supply and Installation of Inverter Shades* in compliance with PPR 2014. Tenders are hereby invited for the items and services as detailed in *Terms of Reference*, subject to the following terms and conditions:

1. The bidder shall submit the bid on the prescribed forms, including supporting documents mentioned in **Annex-A**, and quote price of each item in the financial form (**Annex-B**) and submit the sealed bid at the place mentioned in the tender notice on or before the date and time mentioned in the tender notice which will be opened on the same day in the presence of representatives of the bidding firms who may wish to be present. Conditional, ambiguous and/ or overwritten rates, in any form, shall not be accepted.
2. The procurement will be done under PPR 2014, using **single-stage two-envelope** method and will be evaluated on least cost basis. The bids shall be submitted in two separate sealed envelopes of Technical and Financial Bids enclosed in overall one sealed envelope. Technical Bids shall be opened first for checking the completeness of information and requirement. The bidders with incomplete information and the bid security shall be considered non-responsive.
3. Financial bids of responsive bidders shall be opened on same day in front of all responsive bidders.
4. The Bidder must be registered with Sales Tax and Income Tax Department, Punjab Revenue Authority. (Attach copies of registration certificates).
5. Bidder shall preferably have an operational office in Bahawalpur Region.
6. Rated quotes should be in Pak Rupees, inclusive of all applicable taxes. If not specifically mentioned in the quotation, it will be presumed that the prices include all the taxes.
7. The successful bidder will be required to enter into a Contract with the Client as per relevant rules and regulations.
8. Tender/Bids shall be submitted only on this tender form duly filled, bound, signed/initialed, numbered and stamped on each page by Chief Executive /Authorized person of the firm.
9. Other terms & conditions will be mentioned in the Contract.
10. Advance payment up to 10% of Contract Price shall be made against Advance Payment Bank Guarantee.

11. The Bidder should submit complete organizational portfolio.
12. The Bidder should not be blacklisted by any public or private sector organization (attach an affidavit on stamp paper, refer **Annex-C**).
13. The Bidder should provide list of completed projects of similar scope during the last 5 years. The copies of Work Orders/Purchase Orders, reference letters/certificates from clients to be provided as proof of works done.
14. Client will not be responsible for any costs/expenses incurred by the bidders in connection with preparation or delivery of bids.
15. Bid Security amounting to **Rs. 50,000/-** (refundable) (within 5% of estimated price) in the form of pay order or demand draft favoring Quaid-e-Azam Solar Power (Pvt.) Ltd., valid for at least 90 days, shall be provided by the bidder.
16. Lowest evaluated bidder shall be expected to submit performance guarantee amounting to **10%** of the total bid price. In case the services rendered are not up to the mark, the Client reserves the right to impose penalties and/or forfeit the performance guarantee.
17. The bids must be delivered to the following address by or before **2:30 p.m., 30 November, 2018**.

**Chief Technical Officer, Quaid-e-Azam Solar Power (Pvt.) Ltd.,
3rd Floor, NIB Building, 83/A, E-1,
Main Boulevard, Gulberg-III, Lahore.**

18. The bids will be publicly opened on the aforementioned date at **3:00 p.m.** in the Conference Room of QASPL office.
19. The bid validity period is 90 days, starting from the date of opening of bids.
20. The competent authority may reject all bids or proposals at any time prior to the acceptance of a bid/proposal. The Client shall upon request communicate to any bidder, the grounds for its rejection of all bids or proposals, but shall not be required to justify those grounds.
21. If the proposal of any of the bidder does not fulfil the aforementioned criteria, they may be considered non-responsive.
22. Late received bids will be returned unopened. No alteration/amendment shall be allowed after submission.

23. Successful bidder shall be asked to prepare a prototype installation of 01 inverter shade at Power plant site within one month and obtain approval prior to start of mass production.
24. The bidder shall sign every page of this TORs and submit with the bid as a token for acceptance of all terms and conditions.

Terms of Reference

1. Background

100MWp Quaid-e-Azam Solar Power Plant is located near Bahawalpur Pakistan. The location of power plant is desert area with extreme weather conditions with ambient temperature rise up to **50 Degrees** Celsius.

There are **one hundred (99)** units of Inverter stations installed in the power plant. The inverter is Power Electronics device which operates on high temperatures. The inverter container with dimensions (in mm) is shown below.



The performance of inverter is affected by high internal temperatures above 50°C. The outside enclosure temperature of Inverter during the hottest days of summer rise up to **68 Degrees Celsius** due to direct exposure of sunlight. In order to improve the performance of inverter during extreme temperature conditions and to protect the inverter from overheating, Technical Consultants have advised to install shades over the inverters.

Based on Consultant's design, Company has procured and installed 01 unit of inverter shade as a prototype at site.

2. Scope of Work.

Following is the detailed Scope of Work:

- a. Fabrication of 99 Nos. Inverter Shade as per attached project drawing No. O492-ILF-TYP-CI-DWG-0001 (Rev-1) attached as **ANNEX-D**. The inverter shade material and finishing shall conform to the material specified in the drawings.
- b. The bidder shall provide 01-year warranty of the shades to cover any manufacturing faults. The warranty shall be in the form of Bank Guarantee amounting to 10% of Contract Price.

3. Completion Time

The bidder must provide the complete project execution plan on MS-Project with prototype installation in one month inclusive of procurement, fabrication, delivery and installation to complete the work within the time duration of Four **04 months** after Contract award.

**TECHNICAL BID FORM
(CHECK LIST)**

The bidder is required to provide the information and relevant documentary evidence required as under:

| Sr # | Pre-requisite | Yes/No (attach documents) |
|------|--|------------------------------|
| 1 | Firm/company registered with concerned government authorities? | |
| 2 | Firm to be registered with tax authorities? | |
| 3 | Firm Profile attached? | |
| 4 | Bid security attached with the bid? | |
| 5 | Statement of confirmation of Bid Design drawings attached. | |
| 6 | Affidavit (Annex-C) of non-black listing and correctness of information on stamp paper duly attested by oath commissioner attached | |
| 7 | Signed and stamped copy of bidder for all pages of TOR attached. | |
| 7 | Client list or list of completed projects attached with the bid? | |
| 8 | Reference Work Orders/Certificates from clients for satisfactory works done attached? | |

I/We certify that the above information and documents provided with the bid are true and factual.

(Sign. & Stamp of bidder)

FINANCIAL BID FORM

| Sr.# | Name & Description | Quantity | Unit Price | Total Price |
|--------------|---|-----------------|-------------------|--------------------|
| 1 | Supply of Inverter Shade Complete as per Technical Details mentioned in the Tender Documents. | 99 | | |
| 2 | Installation of Inverter Shade as per Technical Details mentioned in the Tender Documents | 99 | | |
| TOTAL | | | | |

Note:

1. Price shall be inclusive of all applicable taxes.

(Sign. & Stamp of bidder)

AFFIDAVIT

(For Bidder's Use)

As owner/controller of M/s. _____

I/We accept the terms and conditions as laid down in tender document and advertisement notice. I/We shall also observe all the rules/regulations framed by Government of the Punjab regarding the purchase/provision of items, I also affirm that I/We have never been blacklisted by any Govt/Semi Govt. organization or autonomous body.

I/We declare that our business/firm fulfills all the legal requirements to take part in the bidding and I/We have been authorized by the firm in this regard. I/We also assert that the rates quoted are reasonable with the market rates.

(On behalf of the firm)

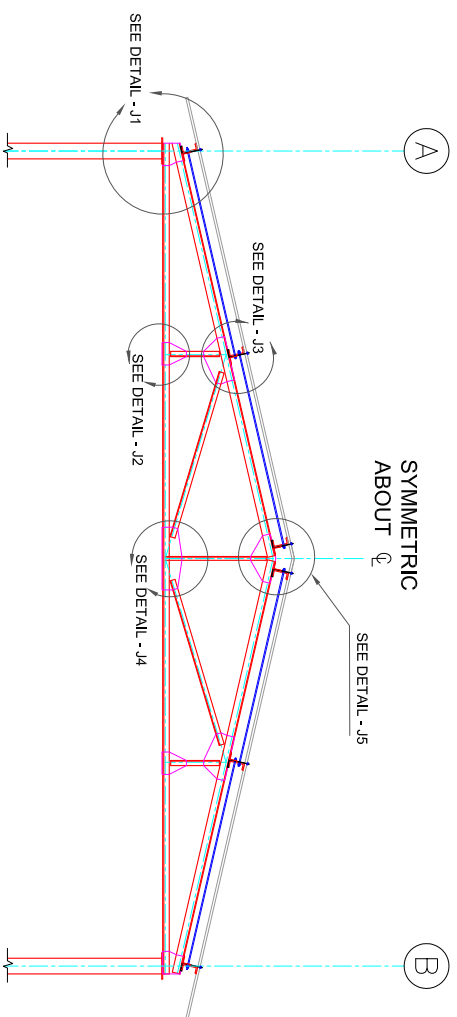
NAME:

DESIGNATION:

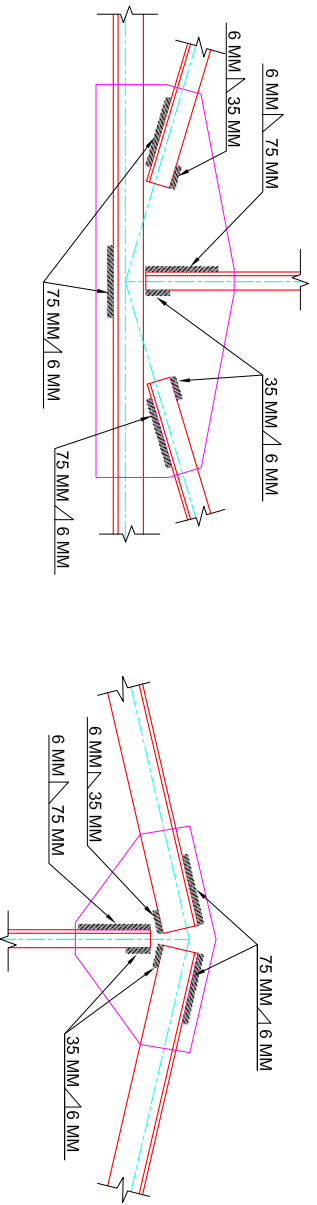
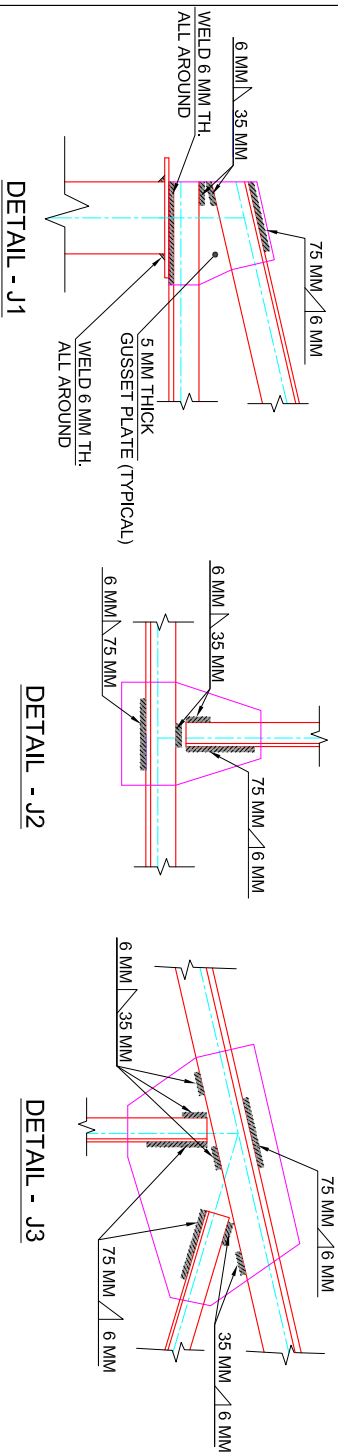
SIGNATURE:

STAMP OF THE FIRM

Date: _____



TRUSS ELEVATION



NOTE:

1. ALL DIMENSIONS ARE IN FEET UNLESS OTHERWISE NOTED.
2. READ THIS DRAWING IN CONJUNCTION WITH RELEVANT ARCHITECTURAL/STRUCTURAL DRAWING.
3. STRUCTURAL STEEL SHALL CONFORM TO ASTM A36.
4. WELDING SHALL CONFORM TO E70XX ELECTRODES ACCORDING TO AWS D12.1.
5. G1 CORRUGATED SHEET SHALL BE CONNECTED TO PURLINS WITH THE HELP OF HOOKS.
6. PURLINS SHALL BE CONNECTED TO THE TRUSSES WITH THE HELP OF CLEAT ANGLES WELDED ALL AROUND, WITH WELD THICKNESS OF 6 MM.
7. BOLTS/HOOKS SHALL CONFORM TO ASTM A307.
8. ANCHOR BOLT MATERIAL:
BOLTS : ASTM A36 OR EQUIVALENT T
NUTS: ASTM A563 OR EQUIVALENT (HEXAGONAL)
WASHERS: ASTM F436 OR EQUIVALENT
9. CONCRETE IN FOUNDATIONS SHALL HAVE MIN. COMPRESSIVE STRENGTH OF 4000 PSI AT 28 DAYS AND SHALL CONFORM TO BUILDING CODEREQUIREMENTS OF ACI 318-11.
10. ALL REINFORCEMENT IN FOUNDATIONS SHALL CONFORM TO ASTM A615, GRADE 60 HAVING MIN. YIELD STRENGTH OF 60,000 PSI.
11. CLEAR COVER TO THE REINFORCEMENT IN THE FOUNDATIONS SHALL NOT BE LESS THAN 50 MM.
12. ALL STRUCTURAL STEEL SHALL BE PAINTED WITH 02 COATS OF RED OXIDE AS PRIMER AND THEN WITH 02 TO 03 COATS OF ENAMEL PAINT WITH SPRAY GUN UPTO THE SATISFACTION OF OWNERS REPRESENTATIVE.
13. STEEL CLADDING SHALL BE OF SAME MATERIAL AND GAUGE AS OF ROOF CORRUGATED SHEET.
14. STEEL CLADDING SHALL BE CONNECTED TO THE TOP AND BOTTOM CHORDS OF THE TRUSS WITH THE HELP OF J BOLTS AND C/C DISTANCE B/W THE J BOLTS SHALL NOT BE MORE THAN 10".

| | | | | | | |
|-----|--------|------------|---------------------|-------|--------|-------|
| Ver | Status | DATE | Issue, Modification | PREP. | CHECK. | APPR. |
| 1 | I FT | 14.11.2018 | Issued for Tender | AQS | TMD | INM |

| | |
|-------------------------------------|--|
| CLIENT: | PROJECT: |
| QUAID-E-AZAM SOLAR POWER Pvt. (Ltd) | O&M CONSULTANCY FOR QASPS 100 MW SOLAR POWER PLANT |

| |
|---|
| ENGINEERING CONSULTANT: |
| ILF PAKISTAN (Pvt.) Limited 87, G-II, Main Boulevard, Johar Town, 54782 Lahore |

| | |
|-------------------------------------|--------------------------|
| DOCUMENT TITLE: | DOCUMENT NO: |
| INVERTOR CANOPY CONNECTIONS DETAILS | O492-ILF-TYP-CH-DWG-0001 |

| | | | | |
|-------------|--------|--------|----|----|
| PROJECT NO: | SCALE: | SHEET: | OF | 02 |
| O492 | NONE | 02 | 02 | 02 |